

# JBC

[www.jbctools.com](http://www.jbctools.com)

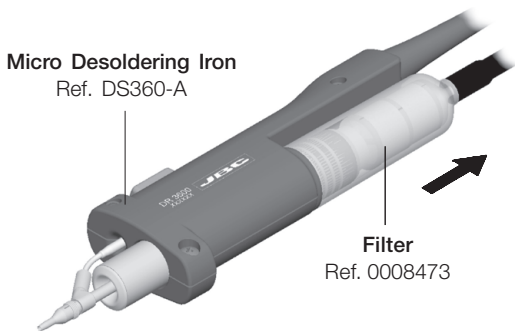


## Heating Element

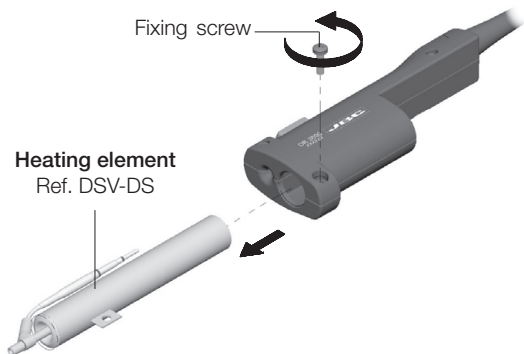
Ref. DSV-DS

## Changing the Heating Element

1. Remove the filter before changing the heating element.



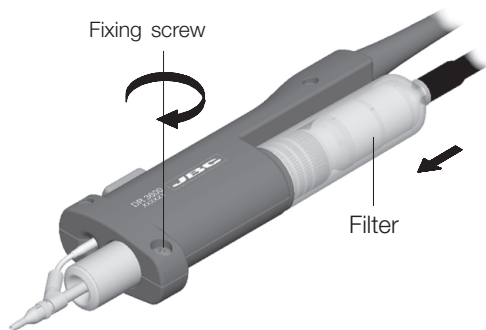
2. Undo the fixing screw and remove the heating element.



3. Place the new heating element.



4. Tighten the fixing screw and place the filter again.



# JBC

---

## Warranty

JBC's 2 year warranty covers this equipment against all manufacturing defects, including the replacement of defective parts and labour.

Warranty does not cover product wear due to use or mis-use.

In order for the warranty to be valid, equipment must be returned, postage paid, to the dealer where it was purchased.

---



This product should not be thrown in the garbage.  
In accordance with the European directive 2002/96/EC,  
electronic equipment at the end of their life must be collected  
and returned to an authorized recycling facility.

**[www.jbctools.com](http://www.jbctools.com)**

0008958-0614