

# CDP

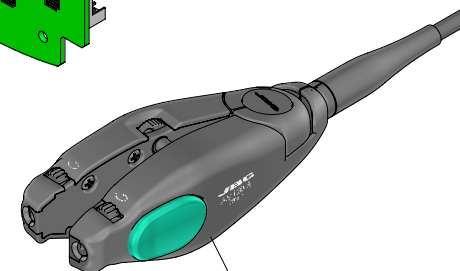
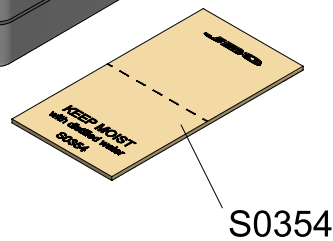
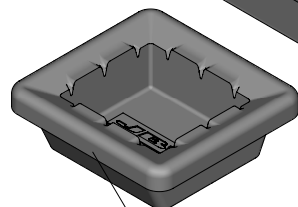
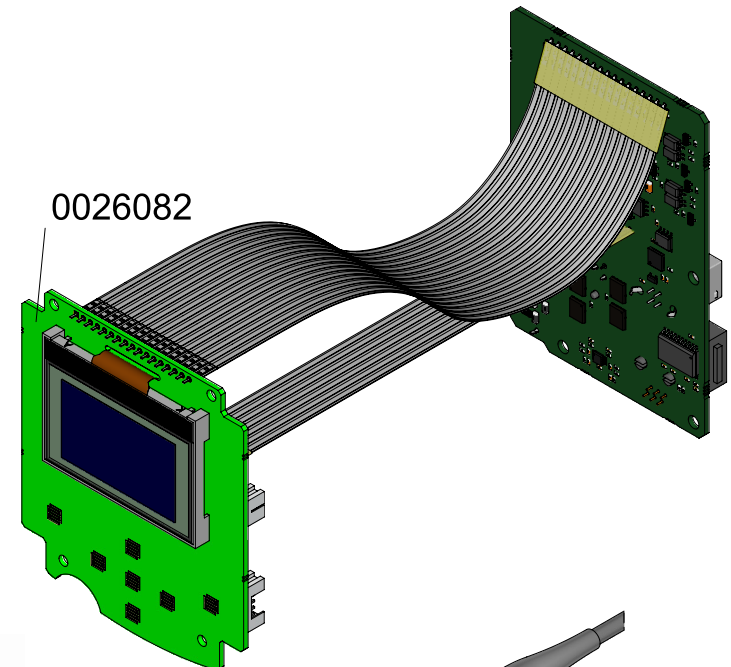
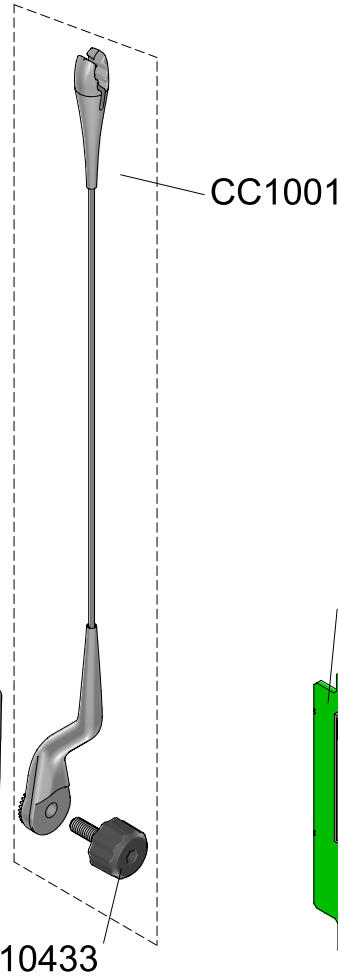
## Microtweezers Soldering Station

Ref.: **CP-9QF** 100V  
**CP-1QF** 120V  
**CP-2QF** 230V

SPARE PARTS	
<b>CP-1F / CP-2F / CP-9F:</b>	
-CIRCUIT	0026082
-ENCLOSURE	0023639
-TOOL STAND	0014719
-SPLASHGUARD	0017576
- ANTISPLASH RUBBER	0017574

**CP-1QF** 120V FUSE T-2A  
**CP-2QF** 230V FUSE T-1A  
**CP-9QF** 100V FUSE T-2A

CONTROL UNIT



CL0160

S0354

CL6210

AM120-A