

PHSMK

Multiaxis Preheater Set for PCBs up to 13 x 13 cm / 5 x 5"

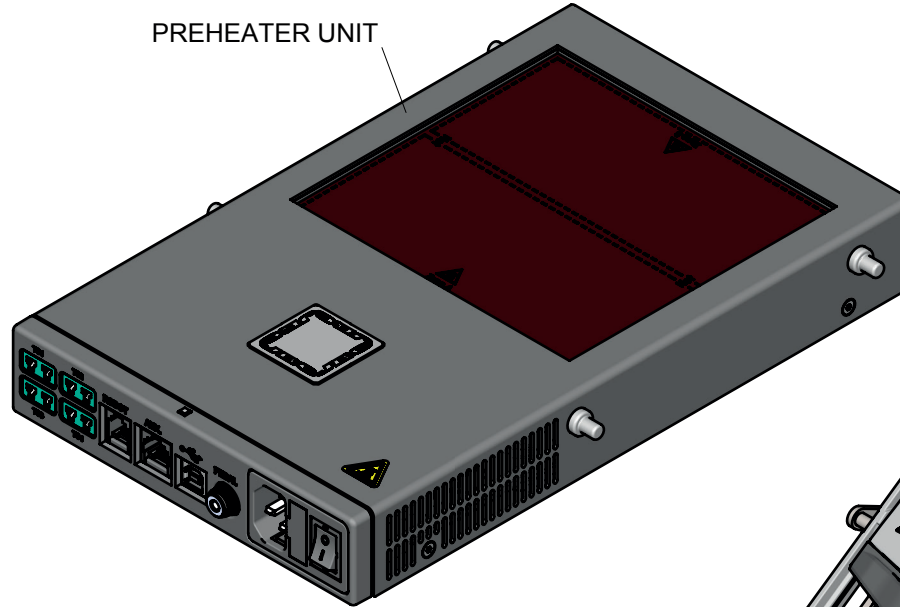
Ref.: **PHSM-9KA** 100V

PHSM-1KA 120V

PHSM-2KA 230V



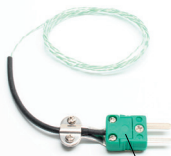
ACE-A



PREHEATER UNIT



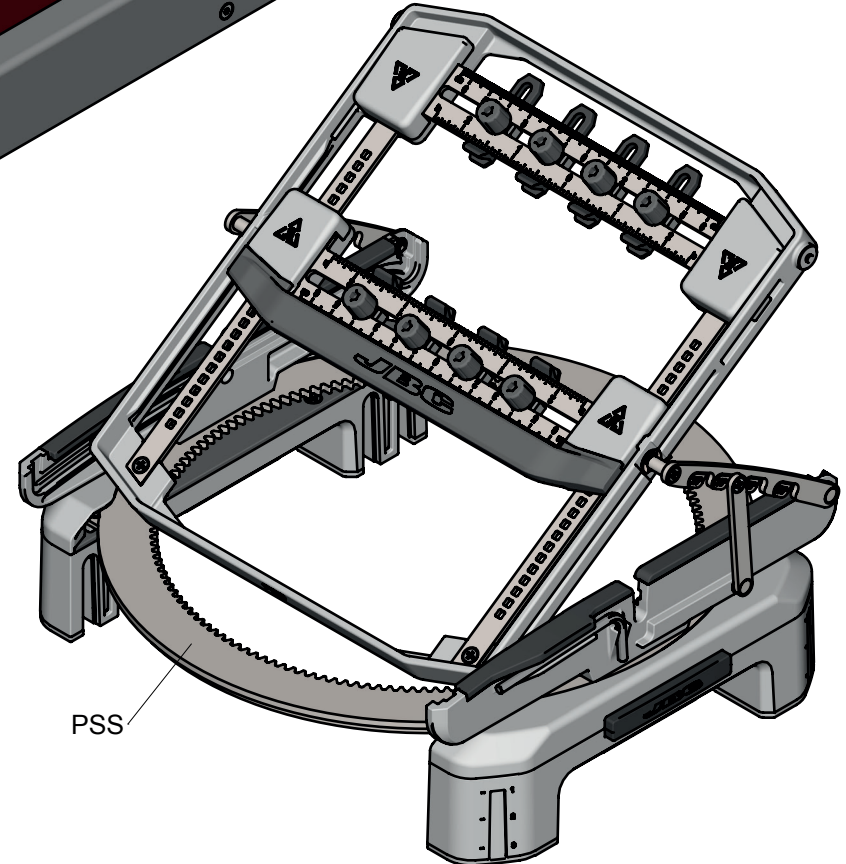
PH217



PH218 (x2)



0019914



PSS

SPARE PARTS	
PSS-A:	
-SLOT CLAMP (4UNITS):	0034683
-3mm ALLEN KEY:	0034684
-UNLOCK LEVER COVER:	0034685
-SELF-LOCKING PCB FIXING MECHANISM:	0034688
PREHEATER UNIT:	
-CIRCUIT (100V):	0027036
-CIRCUIT (120V):	0027037
-CIRCUIT (230V):	0027038

PHSE-9B 100V FUSE T-10A
 PHSE-1B 120V FUSE T-10A
 PHSE-2B 230V FUSE T-5A