

WSS-1A 120V
WSS-2A 230V
WSS-9A 100V

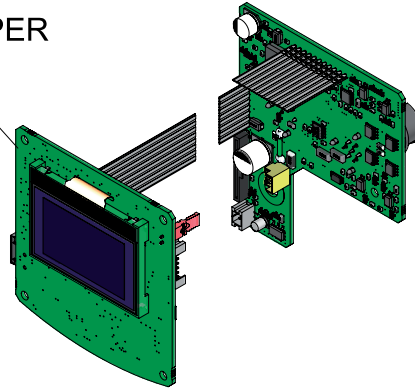
PRECISION HIGH-TEMPERATURE WIRE STRIPPER

SPARE PARTS	
WSU-1A / WSU-2A / WSU-9A	
-CIRCUIT	0027185
-ENCLOSURE	
· TOP	0011435
· BOTTOM	0014032
· FRONT	0013830
· BACK	0003506

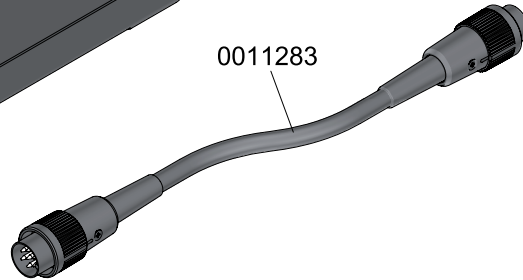
WSS-1A 120V FUSE T-1,25A
WSS-2A 230V FUSE T-0,63A
WSS-9A 100V FUSE T-1,6A

WSU-1A / WSU-2A / WSU-9A

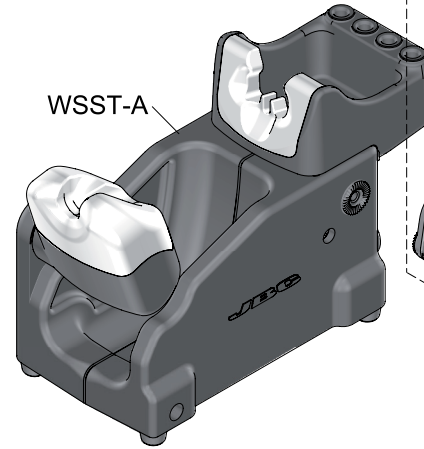
0027185



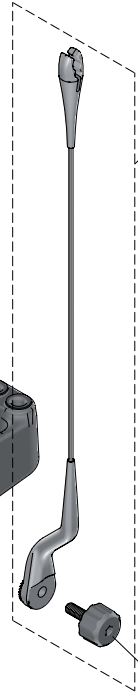
0011283



WSST-A

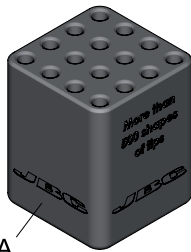


CC3702

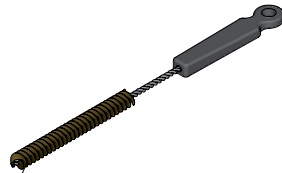


0010433

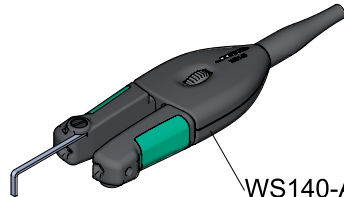
SCH-A



0022793



WS140-A



0023511

