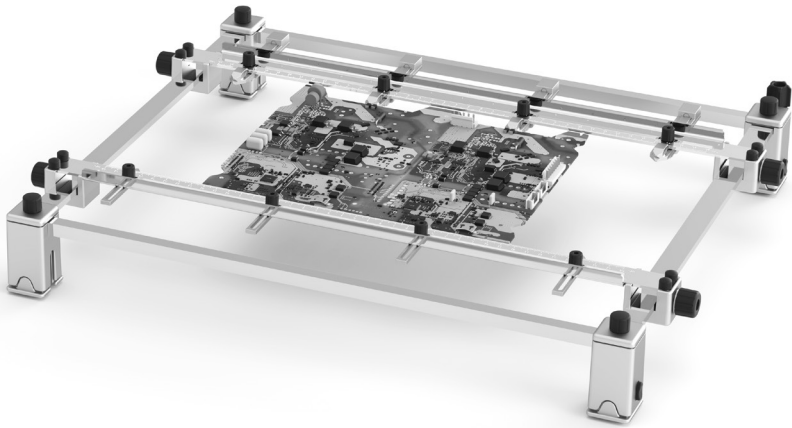


JBC

www.jbctools.com

INSTRUCTION MANUAL



PHBS

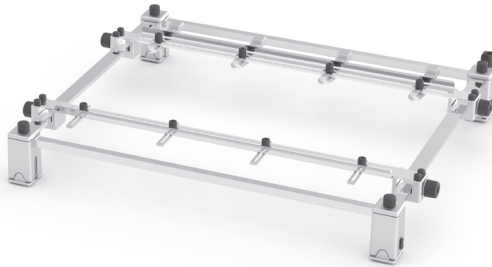
Support for PCBs
up to 36x28cm/14x11”

This manual corresponds to the following reference:

PHB-SA

Packing List

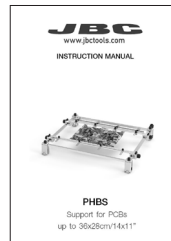
The following items are included:



PHBS Support 1 unit

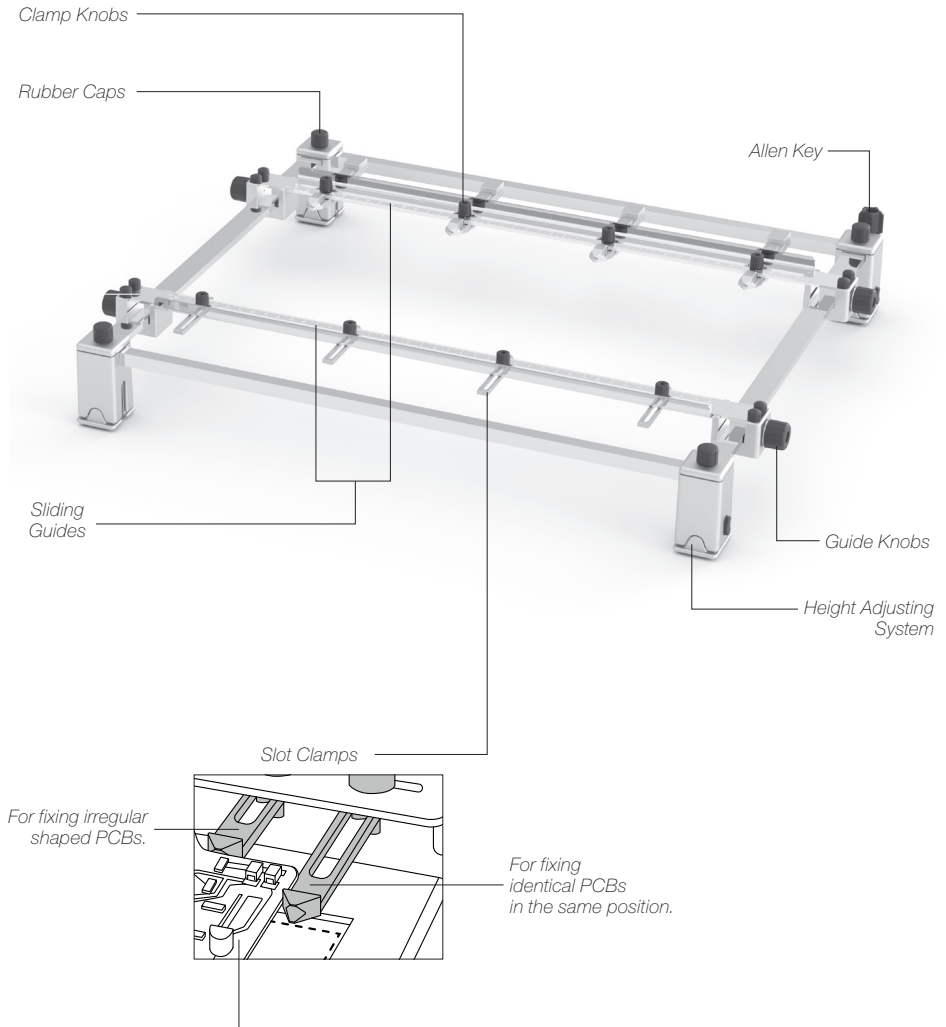


Allen key 1 unit
Ref. 0013754



Manual 1 unit
Ref. 0026995

Features and Connections



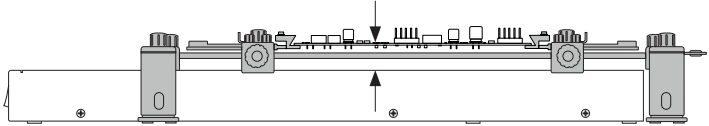
Max. PCB dimension (between clamps):
36x28 cm / 14x11 in, Thickness 6 mm / 0.236 in

Height Adjustment

PHBS Support allows adjustment for **three heights** between the PCB and the Heating Area of the Preheater Unit.

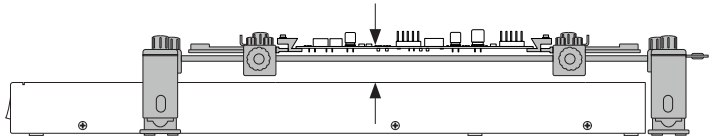
Low level

28 mm



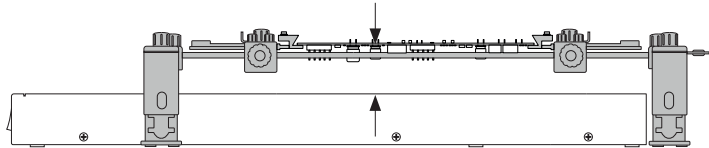
Medium level

38 mm

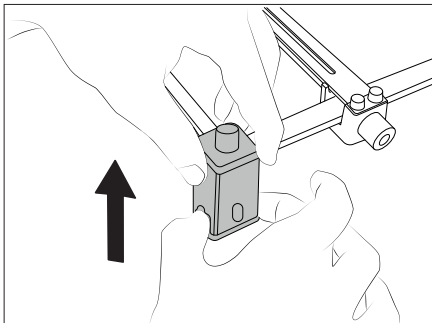


High level

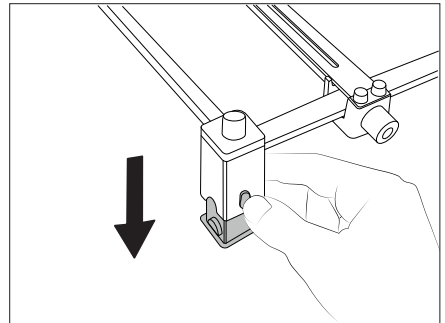
48 mm



To change the height, do as follows:



To raise the support, hold the base and pull up.



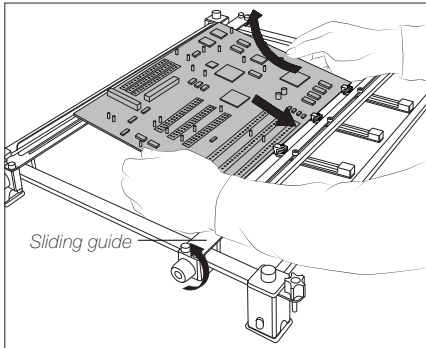
To lower the support, press the button and push down.

Fast PCB Replacement

PHBS Support lets you replace PCBs of the same batch fast and easily. Use the sliding guides to change the PCBs.

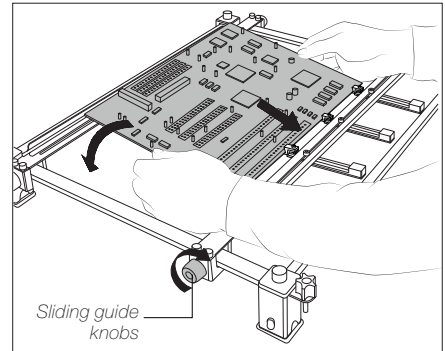
Removing the PCB

Loosen one sliding guide, pull back and lift out the PCB.

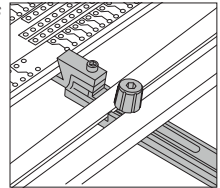


Placing another PCB

Position it and tighten the sliding guide knobs.

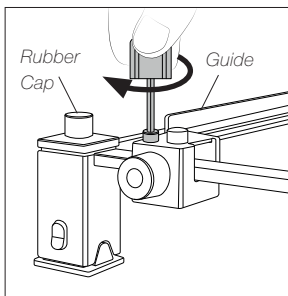


Adjustable slot clamps
for PCB fixation.

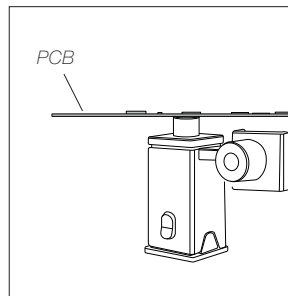


Reworking large PCBs

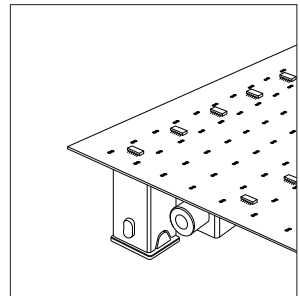
Use the 4 rubber caps to place PCBs larger than the support or thicker than 3mm.



1. Remove both guides by
untightening the 8 screws.



2. Place the PCB on the 4
rubber caps.

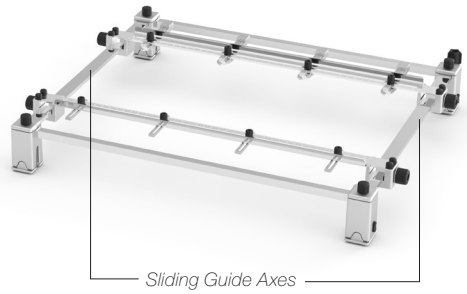


3. The PCB is ready to work.

Maintenance

Before carrying out maintenance or storage, always allow the support to cool down.

- Check periodically that the Support is clean, especially the axes of the sliding guide.
- Use a damp cloth when cleaning. Alcohol can only be used to clean the metal parts
- Replace any defective or damaged piece. Use original JBC spare parts only.
- Repairs should only be performed by a JBC authorized technical service.



Safety



It is imperative to follow safety guidelines to prevent electric shock, injury, fire or explosion.

- The temperature of accessible surfaces may remain high after the unit is turned off. Handle with care.
- Be careful with the remains of liquid tin. In contact with the skin, it can cause burns.
- Avoid flux coming into contact with skin or eyes to prevent irritation.
- Be careful with the smoke produced when soldering.
- Keep your workplace clean and tidy. Wear appropriate protection glasses and gloves when working to avoid personal harm.
- This appliance can be used by children over the age of eight as well as persons with reduced physical, sensory or mental capabilities or lacking experience provided that they have been given adequate supervision or instruction concerning the use of the appliance and understand the hazards involved. Children must not play with the appliance.
- Maintenance must not be carried out by children unless supervised.

Specifications

PHBS

Support for PCBs up to 36x28cm / 14x11"

Ref. **PHB-SA**

- | | |
|---|---|
| - Total Net Weight: | 2.8 kg / 6.2 lb |
| - Dimensions (Low Position):
(L x W x H) | 432 x 514 x 78 mm
17 x 20.2 x 3.1 in |
| - Dimensions (High Position):
(L x W x H) | 432 x 514 x 98 mm
17 x 20.2 x 3.9 in |
| - Max. PCB Dimensions (Between Clamps): | 36 x 28 cm / 14 x 11 in
Thickness 6 mm / 0.236 in |
| - Total Net Weight: | 2.81 kg / 6.19 lb |
| - Total Package Dimensions / Weight:
(L x W x H) | 595 x 520 x 180 mm / 5.01kg
23.2 x 20.5 x 7.09 in / 11.05 lb |

Complies with CE standards.
ESD safe.

JBC

Warranty

JBC's 2 year warranty covers this equipment against all manufacturing defects, including the replacement of defective parts and labour.

Warranty does not cover product wear or misuse.

In order for the warranty to be valid, equipment must be returned, postage paid, to the dealer where it was purchased.



This product should not be thrown in the garbage.

In accordance with the European directive 2012/19/EU, electronic equipment at the end of its life must be collected and returned to an authorized recycling facility.



www.jbctools.com