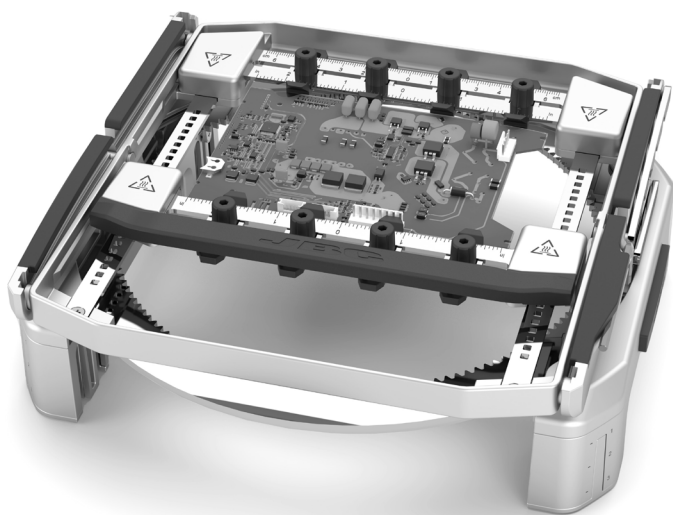


JBC

www.jbctools.com

INSTRUCTION MANUAL



PSS

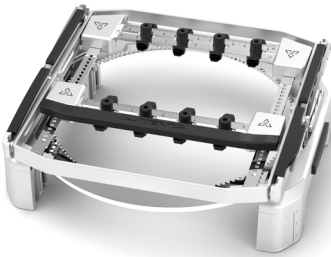
Multiaxis Rotative PCB Support

This manual corresponds to the following reference:

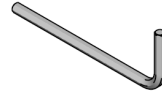
PSS-A

Packing List

The following items are included:



Rotative Support 1 unit



Allen Key 1 unit
Ref. 0034684



Manual 1 unit
Ref. 0032070

Application

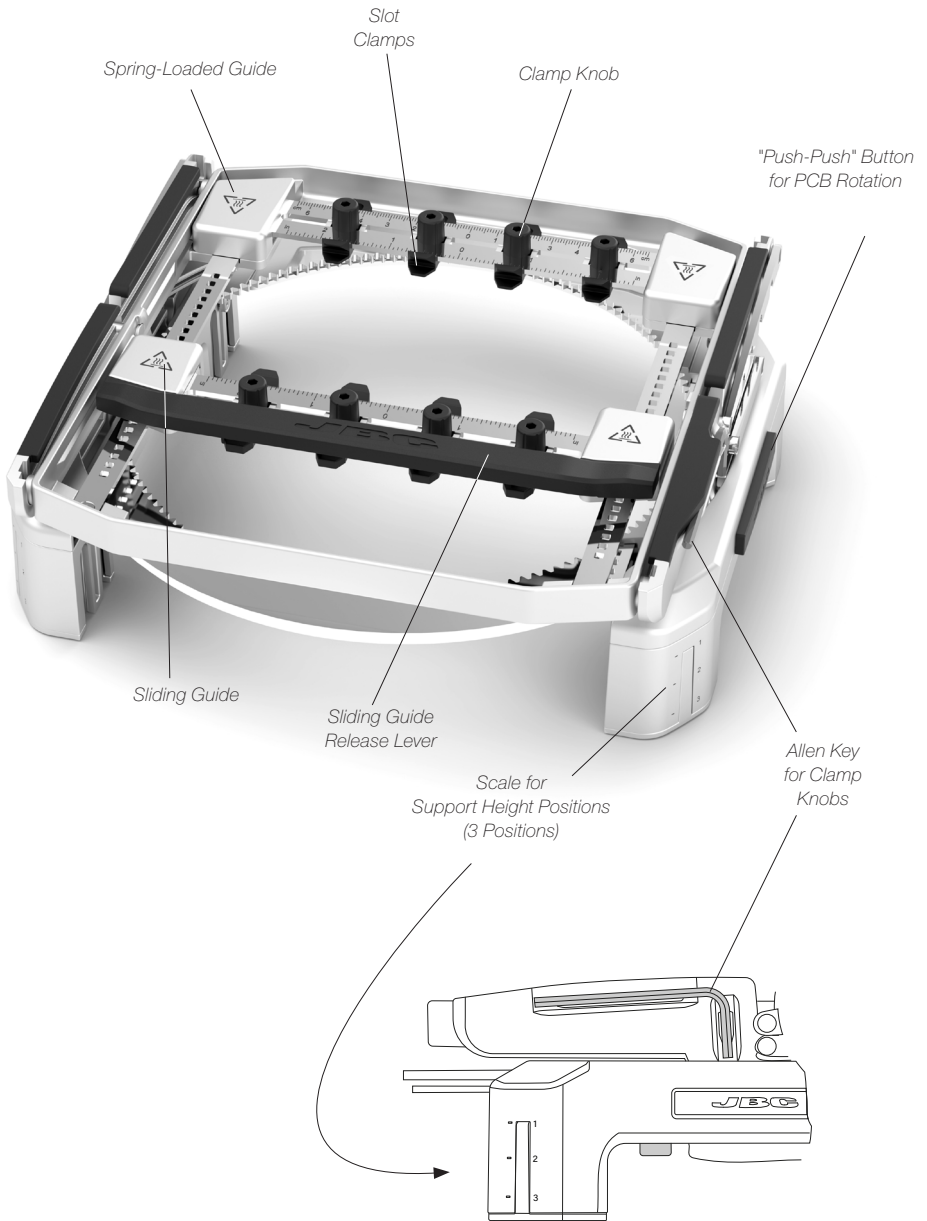
PSS is designed to support and fix PCBs to perform soldering and desoldering jobs with or without preheater. JBC's rotary support can work with JBC's PHSE Preheater.



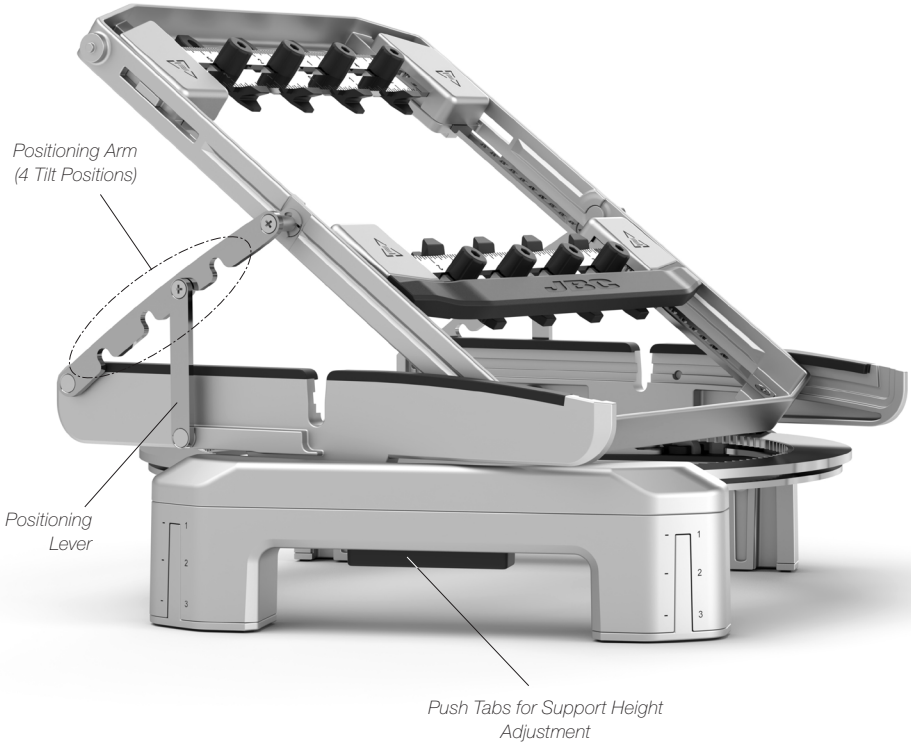
Caution: Be careful not to pinch your fingers and take care when working with preheaters since metal surfaces of the support can be hot - especially the sliding guide and the spring guide.



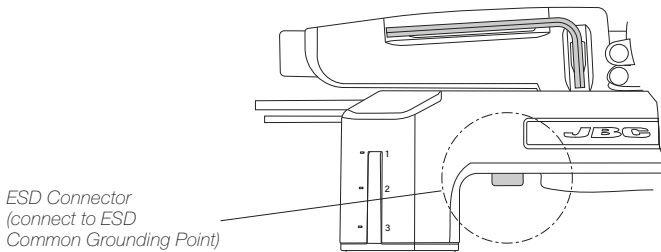
Features - Horizontal Position



Features - Inclined Position and Height Adjustment

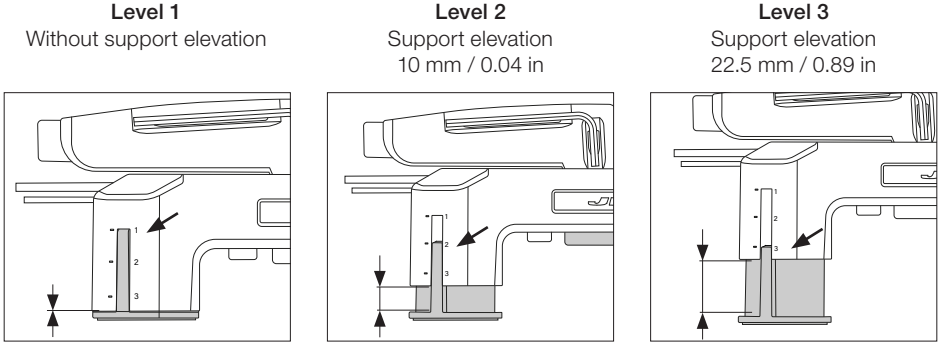


ESD Connections

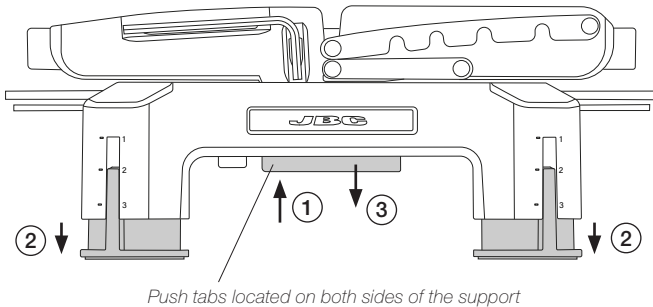


Support Height Adjustment

The support incorporates a height adjustment mechanism inside the support legs. Choose between 3 different height levels.



To adjust the height, press the two lower push tabs upward at the same time and hold them pressed (1).



Lift the support while holding the tabs and let its feet drop down under their own weight (2).

While continuing to hold the lower tabs, place the support on the workplace and lower it until it reaches the desired height.

Release the tabs and the legs will automatically lock into position (3).

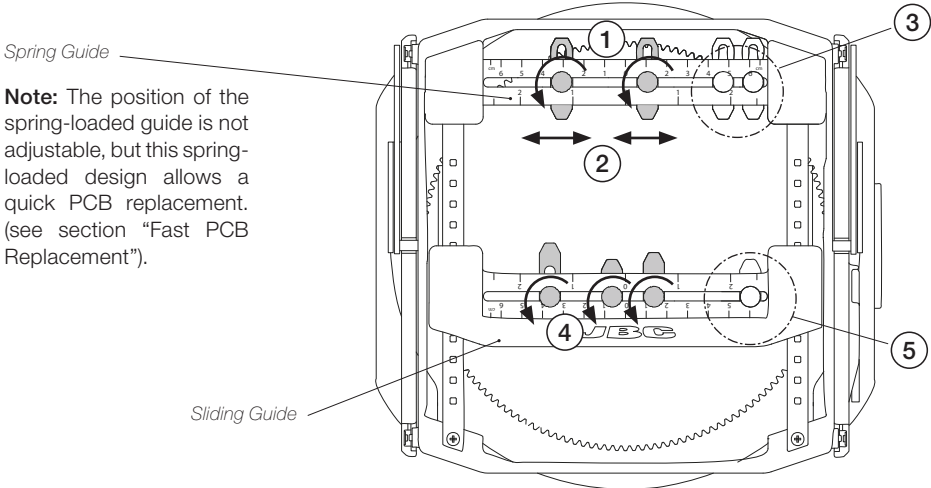
Pay special attention when turning the PCB so that components do not collide with the working surface or with PHSE Preheater (if used).

Important: When using PHSE Preheater, make sure that the components of the PCB do not come too close to the preheater plate. If components are too close to the heating surface, they may be damaged. To avoid this or possible collisions, set the support height to level 2 or level 3, or set an adequate PCB holder angle to ensure sufficient distance.

PCB Placement

Loosen the knobs of the spring guide clamps (1), adjust their distance according to the PBC width (2) and tighten the knobs again. Clamps that are not needed can be slid to the side (3), or disassembled.

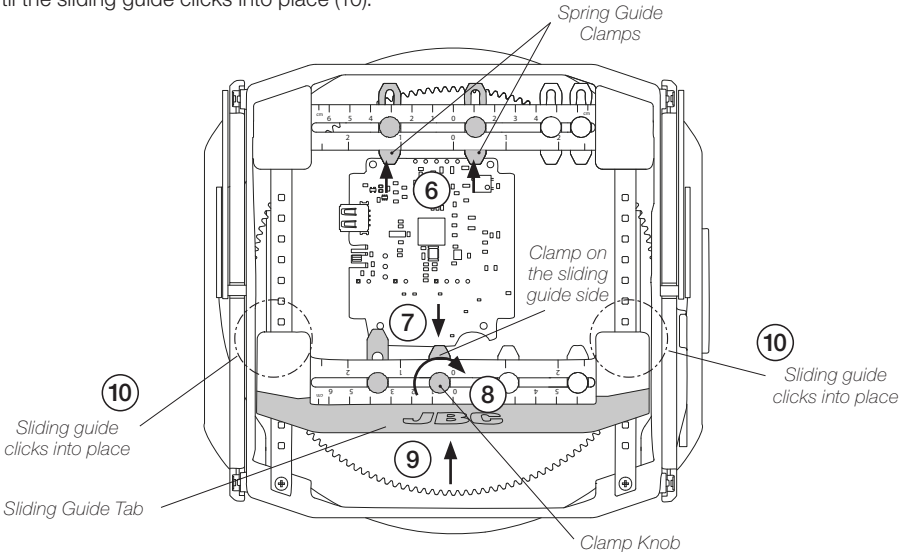
Loosen the knobs of the sliding guide clamps (4) and slide unneeded clamps aside (5).



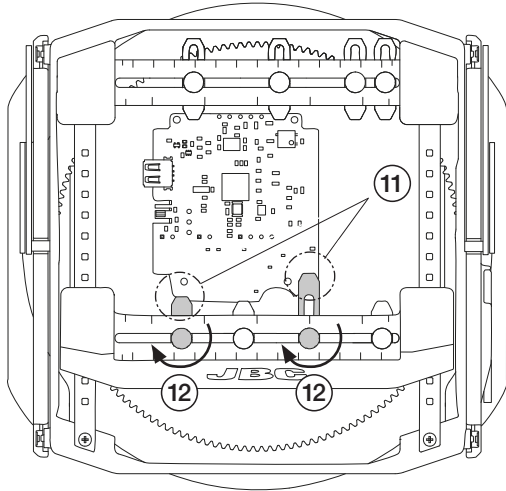
Note: The position of the spring-loaded guide is not adjustable, but this spring-loaded design allows a quick PCB replacement. (see section "Fast PCB Replacement").

Insert the PCB into the slots of the spring guide clamps (6) and into at least one clamp on the side of the sliding guide (7) and tighten the clamp knob (8).

Press the sliding guide tab against the PCB to move it together with the spring guide slightly backwards (9) until the sliding guide clicks into place (10).

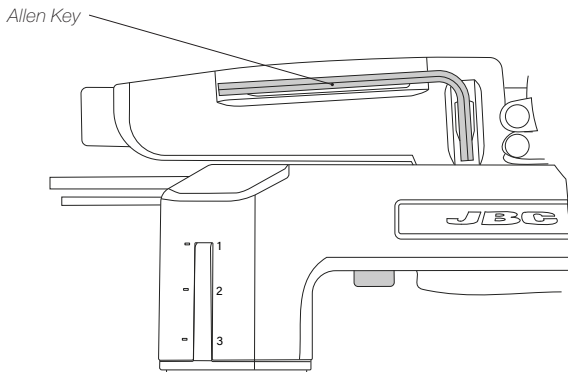


Now adjust the positions of the other sliding guide clamps to the PCB shape (11) and tighten their clamp knobs (12) after the adjustment.



The clamp knobs can be loosened and tightened by hand and/or by means of the provided Allen key.

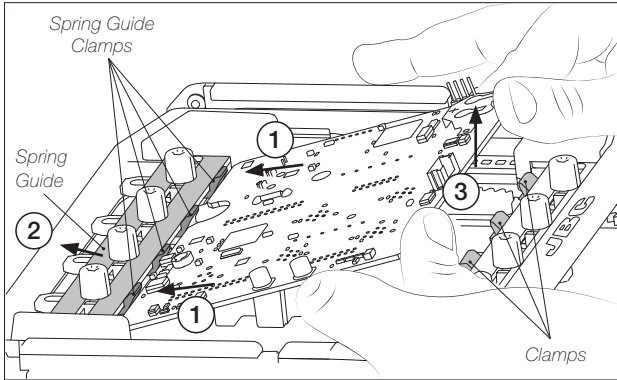
The Allen key is stored on the side of the support and held in place by a built-in magnet.



Fast PCB Replacement

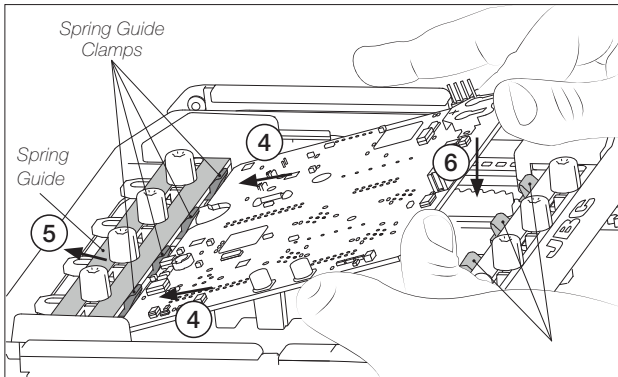
Removing the PCB

Push the PCB against the spring-loaded guide clamps (1) until the spring guide moves back slightly (2).
Now the PCB can be removed from the clamps at the front end (3).



Placing Another PCB

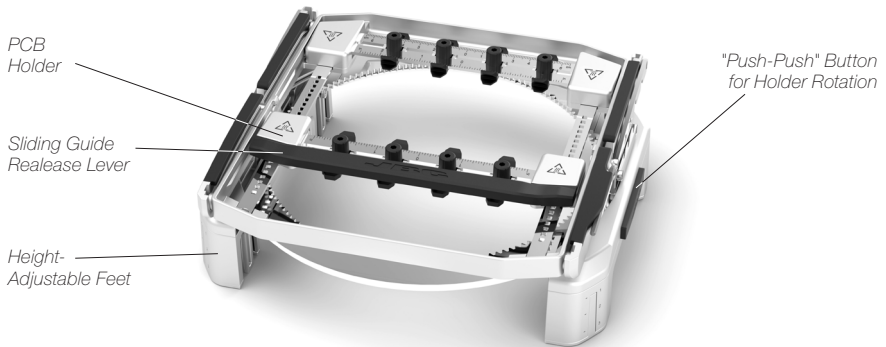
Position a new PCB inside the spring guide clamps (4). Push the spring guide backwards (against the spring force) until it moves slightly backwards (5).
Rotate the free side of the PCB downward (6) and position it in the slot clamps of the front area.
The spring guide automatically locks the PCB into position.



Holder Positions

Default Position - without elevation and without rotation

By default, the sliding guide release lever is located at the front and the push button for holder rotation on the right side.



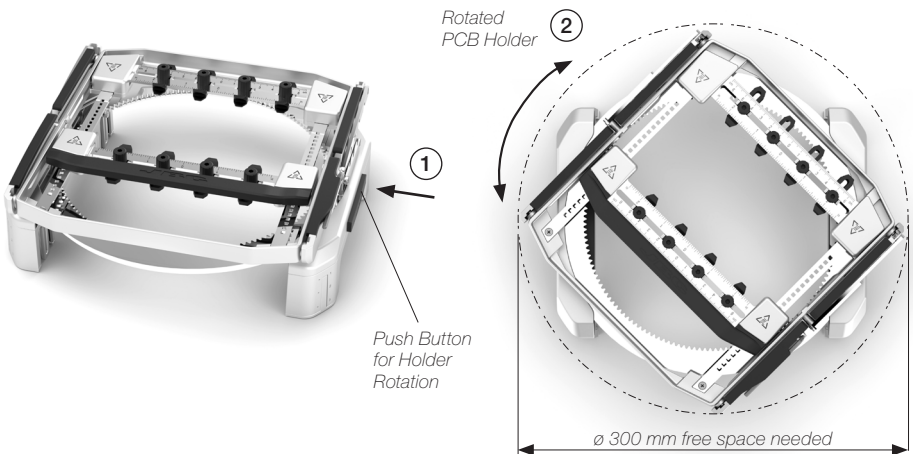
Rotated Position

The PCB holder can be rotated all around (360°) in the horizontal position.

A **single firm press** onto the lateral push button (1) unlocks the holder position and keeps it unlocked to rotate freely. Rotate the holder into the desired position (2) and do a second firm press onto the lateral push button (1) to lock the holder in position.

A **long soft press** onto the lateral push button (1) keeps the holder position unlocked as long as the button is pressed. Rotate the holder into the desired position (2) and release the push button (1) to rest the holder in position.

Note: To be able to rotate freely, the holder must have a free space of at least 300 mm in diameter.



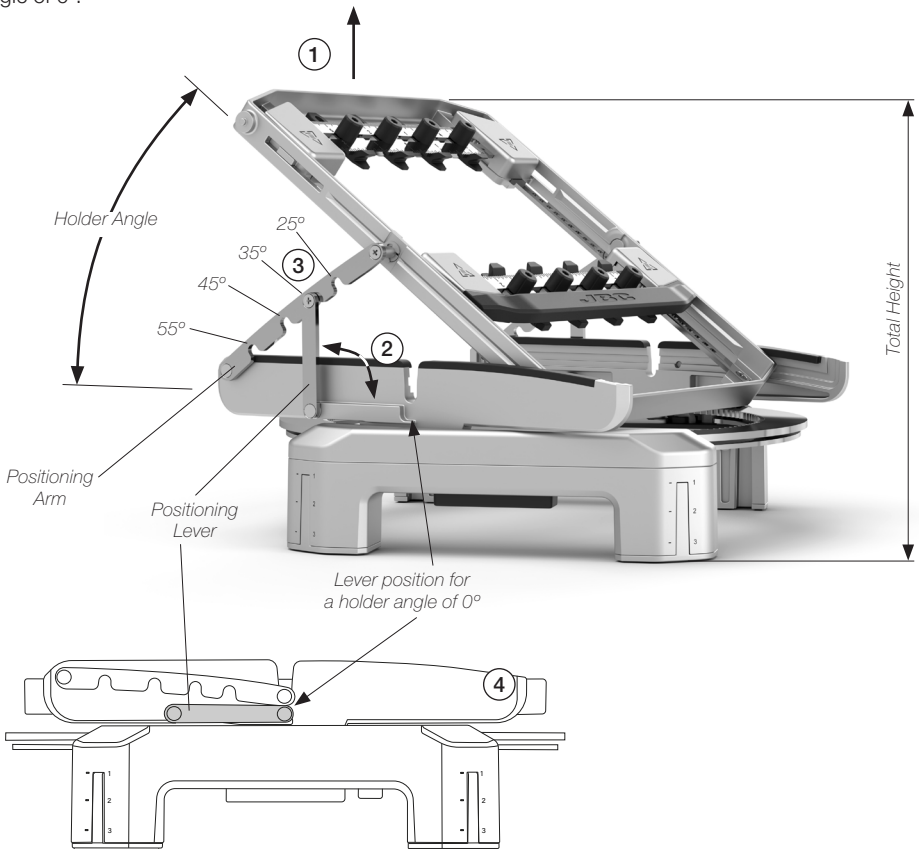
Inclined Position

To set the holder in an inclined position, lift the rear end slightly upwards and keep the holder in the desired angle (1).

With the other hand, lift one of the positioning levers (2) and insert its stud into one of the openings of the positioning arm (3). Do the same on the opposite side to completely fix the holder in the desired position.

It is possible to choose between 4 different angular positions: 25°, 35°, 45° and 55°. **Note:** When working at 55° and level 3 height, the total height of PSS reaches 24.5 cm (up to 30 cm at 90°).

To return the holder to the horizontal position, set the lever to its horizontal position (4) - for a holder angle of 0°.

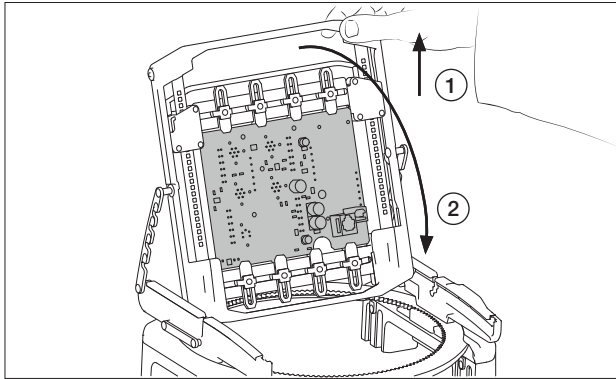


Caution: If JBC's prehetarer PHSE is used, be careful when turning and adjusting the position of the support, as the metal parts may be hot.

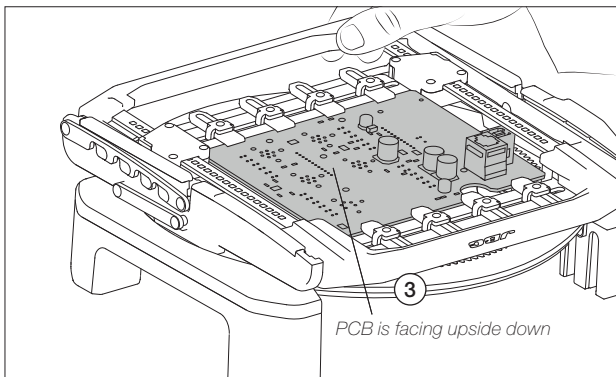
Turning the PCB upside down

The PCB holder can be turned 180°. This allows turning the PCB upside down while being clamped, so that its underside faces upwards.

This feature provides the advantage of not having to remove and reposition the PCB when working on both sides of it.



To do this, follow the same steps as for inclining the holder (1), but continue the tilting movement (2) until the PCB is completely turned over (3). If necessary, set again an inclined position using the positioning levers and arms.

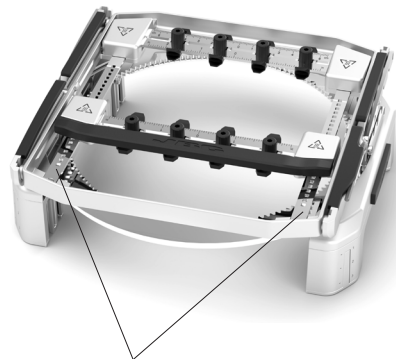


Note: Pay special attention when turning the PCB so that components do not collide with the working surface or with PHSE Preheater (if used). If necessary, set a different support height or angle.

Maintenance

Before carrying out maintenance or storage, always allow the support to cool down.

- Check periodically that the Support is clean, especially the sliding guide axes.
- Use a damp cloth when cleaning. Alcohol can only be used to clean the metal parts
- Replace any defective or damaged piece. Use original JBC spare parts only.
- Repairs should only be performed by a JBC authorized technical service.



Sliding Guide Axes

Safety



It is imperative to follow safety guidelines to prevent electric shock, injury, fire or explosion.

- When using the support with a preheater unit, the temperature of accessible surfaces may remain high after the unit is turned off. Handle with care.
- Be careful not to pinch your fingers when operating the support.
- Be careful with the remains of liquid tin. In contact with the skin, it can cause burns.
- Avoid flux coming into contact with skin or eyes to prevent irritation.
- Be careful with the smoke produced when soldering.
- Keep your workplace clean and tidy. Wear appropriate protection glasses and gloves when working to avoid personal harm.
- This appliance can be used by children over the age of eight as well as persons with reduced physical, sensory or mental capabilities or lacking experience provided that they have been given adequate supervision or instruction concerning the use of the appliance and understand the hazards involved. Children must not play with the appliance.
- Maintenance must not be carried out by children unless supervised.

Specifications

PSS

Multiaxis Rotative PCB Support

Ref. PSS-A

- | | |
|---|---|
| - Support Dimensions (Low Position):
(L x W x H) | 235 x 245 x 80 mm
9.25 x 9.65 x 3.15 in |
| - Support Dimensions (High Position):
(L x W x H) | 235 x 245 x 105 mm
9.25 x 9.65 x 4.13 in |
| - Needed space for free support rotation:
(see page 6) | ø 300 mm / ø 11.81 in |
| - Support Max. Height (lifted 90°):
(see page 7) | 300 mm / 11.81 in |
| - Max. PCB Dimensions (Between Clamps): | 13 x 13 cm / 5 x 5 in
Thickness 6 mm / 0.236 in |
| - Total Net Weight: | 2464 g / 5.43 lb |
| - Total Package Dimensions / Weight:
(L x W x H) | 368 x 368 x 125 mm / 2950 g
14.49 x 14.49 x 4.92 in / 6.5 lb |

Complies with CE standards.
ESD safe.

JBC

Warranty

JBC's 2 year warranty covers this equipment against all manufacturing defects, including the replacement of defective parts and labor.

Warranty does not cover product wear or misuse.

In order for the warranty to be valid, equipment must be returned, postage paid, to the dealer where it was purchased.



This product should not be thrown in the garbage.

In accordance with the European directive 2012/19/EU, electronic equipment at the end of its life must be collected and returned to an authorized recycling facility.

