

JBC

www.jbctools.com

INSTRUCTION MANUAL



RHN

Articulated Hand Rest
for PHNEK Preheater Set

This manual corresponds to the following reference:

RHN-A

Packing List

The following items are included:



Articulated Hand Rest Arm 1 unit



Height Adj. Flange 1 unit
Ref. 0023991



Shaft 1 unit



PHNE Compatible Base 1 unit



Headless Screw 1 unit
Ref. 0017057



Allen Key 1 unit
Ref. 0034684



Manual 1 unit
Ref. 0027888

Features

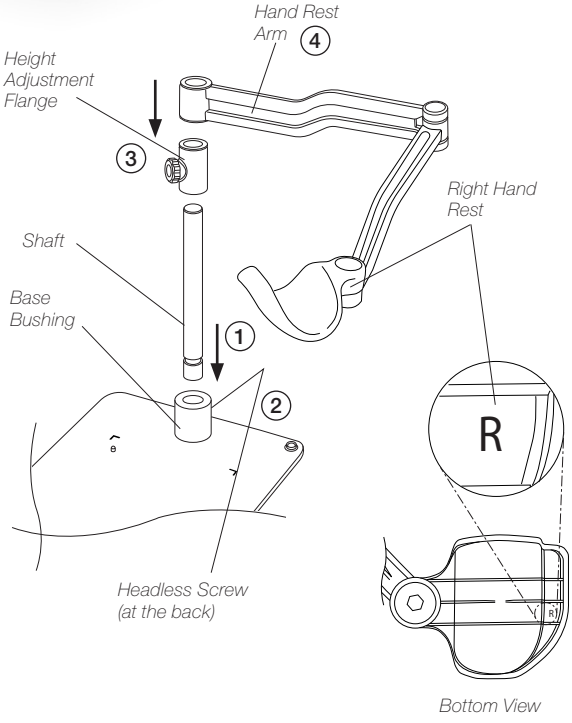


Assembly

Setting up the Hand Rest Arm

Fit the shaft into the base bushing (1) and tighten the headless screw (2). Then assemble first the height adjustment flange (3) and finally the hand rest arm (4) onto the shaft.

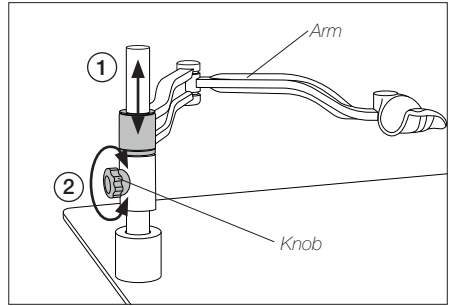
The hand rest arm position should be as shown in the image. The right hand rest is marked at its bottom side with the letter "R".



Height Adjustment

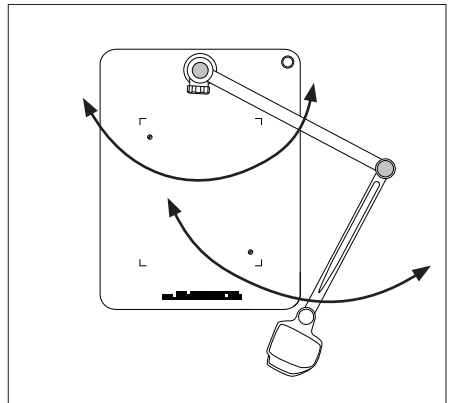
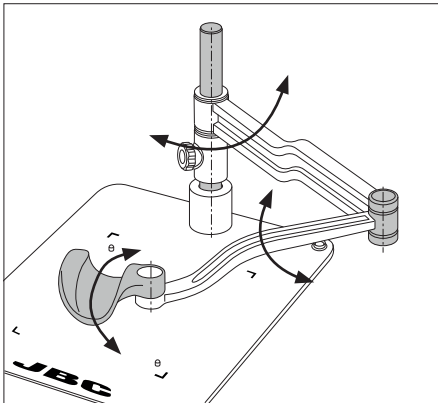
According to your work needs the hand rest arm allows adjustment for different heights through the vertical axis.

Slide the arm to the appropriate height (1) and secure it by tightening the knob (2) to guarantee stability.



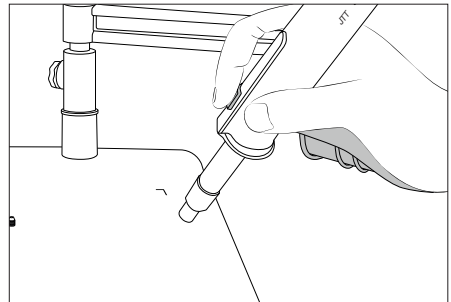
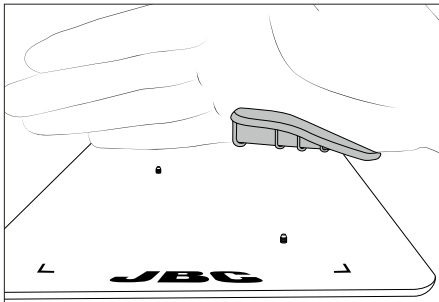
Work Position Adjustment

RHN arm allows adjustment for different positions according to your work needs. The articulated arm covers all work areas.



Position the arm and tighten the knobs.

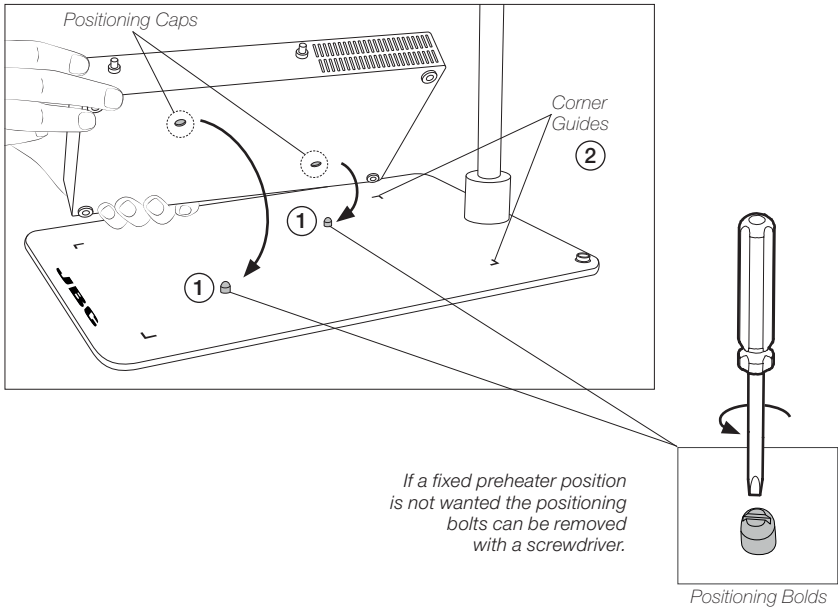
The correct hand position is shown in the following images:



Preheater Positioning

RHN has been designed to work together with PHN.

Fit PHNE onto the positioning bolts (1) for proper alignment. The four corner guides (2) help to place the heater unit in its position.



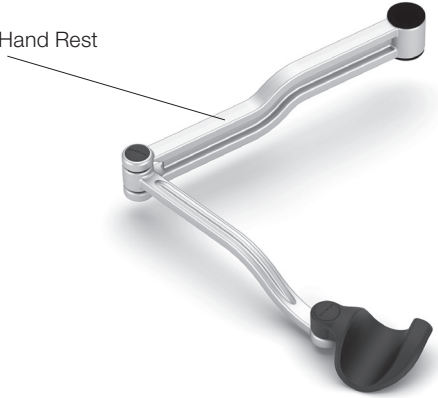
Note: For each preheater size, there are different articulated hand rests with different base dimensions available.

Preheater	Articulated Hand Rest	Base Dimension
PHNE	RHN	310 x 239 mm / 12.20 x 9.41 in
PHSE	RHS	400 x 270 mm / 15.75 x 10.63 in
PHBE	RHB	550 x 480 mm / 21.65 x 18.90 in

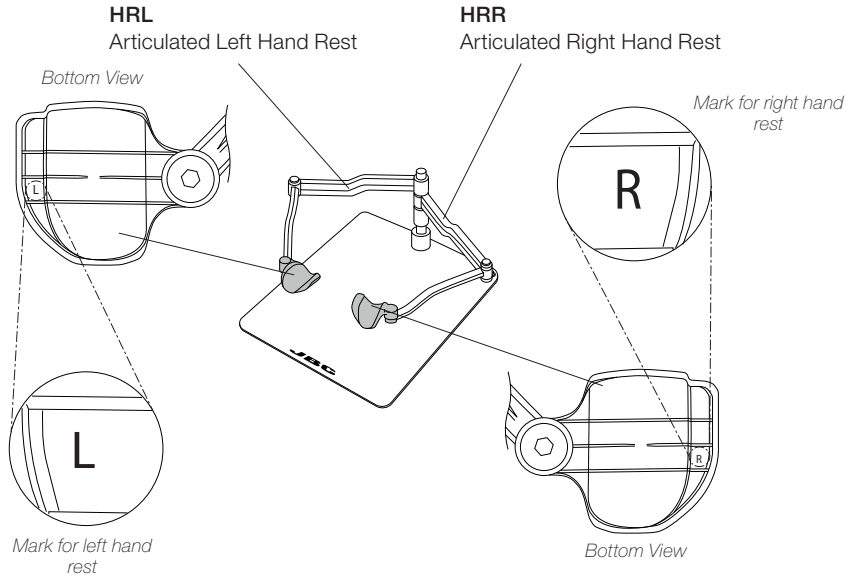
Accessories*

If a second hand rest is needed, HRL Articulated Left Hand Rest is available. It can also be adjusted for different positions.

HRL
Articulated Left Hand Rest



In the case of using both left and right arms, assemble both as shown in the illustration according to the letters on the back of the hand rest. To keep the hand supports at the same level, the right hand rest should be assembled below the left hand rest.



* Not included, sold separately.

Workplace Example

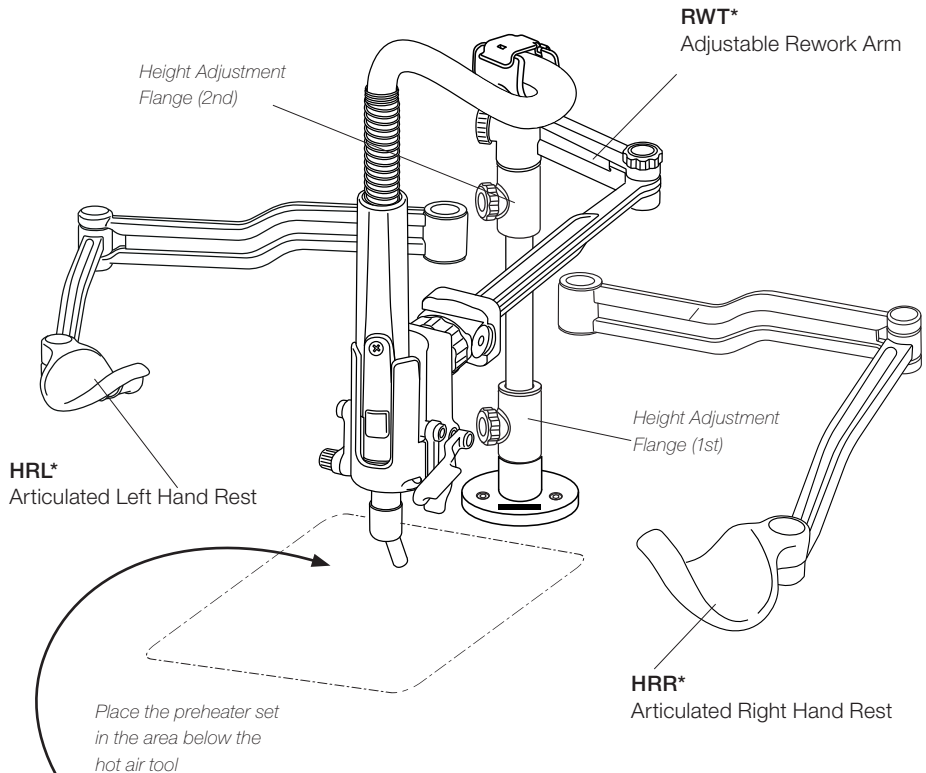
HRR and HRL can be combined with:

RWT* Adjustable Rework Arm,

RWS* Adjustable Rework Arm for PHSE and

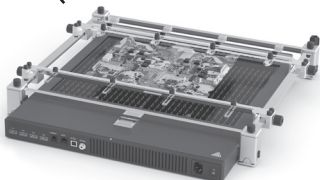
RWB* Adjustable Rework Arm for PHBE.

Assemble first the height adjustment flange (1), then HRR (2) and afterwards HRL (3). Assemble the second height adjustment flange (4) and finally RWT (5).



4 different sizes for PCB Supports are available:

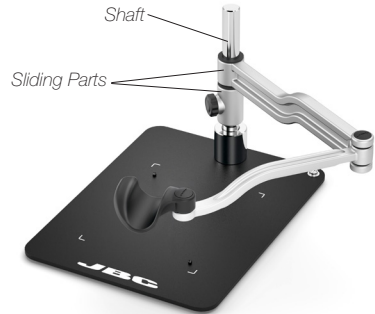
- PHNS* Support for PCBs up to 11x7 cm / 4x3"
- PHSS* Support for PCBs up to 13x13 cm / 5x5"
- PHBS* Support for PCBs up to 36x28 cm / 14x11"
- PHXLS* Support for PCBs up to 51x61 cm / 20x24"



* Not included, sold separately.

Maintenance

- Check periodically that RHN is clean, especially the sliding parts and the shaft.
- Use a damp cloth when cleaning. Alcohol can only be used to clean the metal parts.
- Replace any defective damaged parts. Use original JBC spare parts only.



Do not leave up HRR over the preheater when the preheater is working.

Safety



It is imperative to follow safety guidelines to prevent electric shock, injury, fire or explosions.

- Do not use the equipment for any purpose other than PCB rework.
- The temperature of accessible surfaces may remain high after the unit is turned off. Handle with care.
- Be careful with the fumes produced when soldering.
- Keep your workplace clean and tidy. Wear appropriate protection glasses and gloves when working to avoid personal harm.
- Do not leave up the arms directly above heat surfaces.
- Utmost care must be taken with liquid tin waste which can cause burns.
- This appliance can be used by children over the age of eight as well as persons with reduced physical, sensory or mental capabilities or lacking experience provided that they have been given adequate supervision or instruction concerning the use of the appliance and understand the hazards involved. Children must not play with the appliance.
- Maintenance must not be carried out by children unless supervised.

Specifications

RHN

Articulated Hand Rest for PHNEK Preheater Set

Ref.: RHN-A

- Base Dimensions: 310 x 239 mm / 12.20 x 9.41 in
- Total Height: 205 mm / 8.07 in
- Arm Height: 200 mm / 7.87 in
- Arm Length: 498 mm / 19.61 in
- ESD Connector

- Total Net Weight: 4.50 kg / 9.92 lb
- Package Dimensions / Weight: 370 x 204 x 370 mm / 6.09 kg
(L x W x H) 14.57 x 8.03 x 14.57 in / 13.43 lb

Complies with CE standards
ESD Safe

JBC

Warranty

JBC's 2 year warranty covers this equipment against all manufacturing defects, including the replacement of defective parts and labor.

Warranty does not cover product wear or misuse.

In order for the warranty to be valid, equipment must be returned, postage paid, to the dealer where it was purchased.



This product should not be thrown in the garbage.

In accordance with the European directive 2012/19/EU, electronic equipment at the end of its life must be collected and returned to an authorized recycling facility.



www.jbctools.com